

DATA SHEET A13G

CIRCULAR ATTENUATOR

SPIGOT CONNECTION

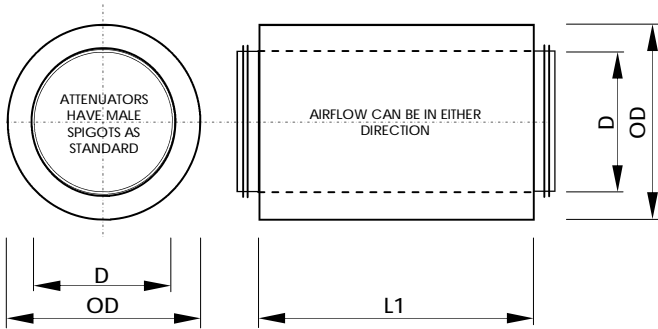
MODEL PL (WITHOUT POD)

MODEL PLP (WITH POD)



THIS IS NOT A STAND ALONE DOCUMENT AND UNLESS REFERRED TO IN A DATED EQUIPMENT SCHEDULE IS SUBJECT TO REVISION WITHOUT NOTICE.

DIMENSIONS



NOMINAL DIAMETER (D)

OUTSIDE DIAMETER (OD)

BETWEEN 100 - 499 mm
ABOVE 499 mm

D + 100 mm.
D + 200 mm.

LENGTH (L1) IS NOMINAL CASING DIMENSION, EXCLUDING SPIGOTS.

SPECIFICATION

ATTENUATORS ARE CONSTRUCTED IN ACCORDANCE WITH DW 144 SPECIFICATION FOR MEDIUM PRESSURE (CLASS B) DUCTWORK.

CASES ARE STIFFENED AND FITTED WITH MALE SPIGOTS WITH INTEGRAL SEALS.

SOUND ABSORBENT INFILL IS ENCAPSULATED WITH GLASS CLOTH AND PERFORATED STEEL.

CENTRAL PODS (TYPE PLP) HAVE AERODYNAMIC FAIRINGS AT EACH END.

NOTES

THIS DATA SHEET IS TO BE READ IN CONJUNCTION WITH THE EQUIPMENT SCHEDULE.

EXCESSIVELY LARGE OR HEAVY ATTENUATORS MAY BE MANUFACTURED IN MATING SECTIONS FOR EASE OF HANDLING.

ATTENUATORS WILL BE SUPPLIED WITHOUT SUPPORT STEELWORK, BRACKETS, FIXINGS, GASKET, MASTIC OR OTHER SUCH ITEMS, UNLESS OTHERWISE STATED.

IT IS THE INSTALLERS RESPONSIBILITY TO SEAL THE ATTENUATOR TO THE CONNECTING DUCT.

INSERTION LOSS, PEASURE LOSS AND FLOW NOISE DATA ARE DERIVED FROM TESTS CARRIED OUT IN ACCORDANCE WITH ISO 7235 AND MAY VARY DEPENDING ON INSTALLED CONDITIONS.

MANUFACTURING DIMENSIONAL TOLERANCE < 1.0 %.

WEIGHT

WEIGHTS ARE GIVEN ON THE EQUIPMENT SCHEDULE.

SUFFIX

THE SUFFIX TO THE ATTENUATOR MODEL DEFINES THE MATERIAL OF FABRICATION AND ANY ADDITIONAL FEATURES OR SPECIAL CONSTRUCTIONAL DETAILS.

G - PRE-GALVANISED STEEL CONSTRUCTION.

S - GRADE 316 STAINLESS STEEL CONSTRUCTION.

H1 - HIGH TEMPERATURE APPLICATION (2 HOUR/300°C).

C - HIGH PRESSURE APPLICATION (DW 144, CLASS C).

K - PROTECTIVE PAINT FINISH TO VISIBLE INTERNAL METAL SURFACES.

M - MELINEX ENCAPSULATED INFILL.

X - SPECIAL CONSTRUCTION, REFER TO EQUIPMENT SCHEDULE FOR DETAILS.

FLANGE DETAILS

ATTENUATORS ARE FITTED WITH MALE SPIGOTS AS STANDARD.

STANDARD SIZES

DIAMETER(D) - 100, 125, 150, 160, 180, 200, 224, 250, 300, 315, 355, 400, 450 & 500 mm.

LENGTH (L1) - 600, 900, 1200, 1500, 1800, 2100, 2400, 2700 & 3000 mm.

ALL ATTENUATORS ARE MADE TO ORDER.

NON STANDARD SIZES AVAILABLE.